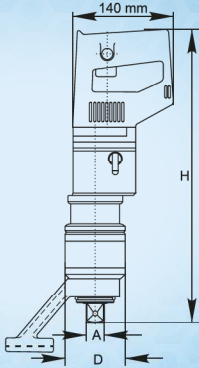




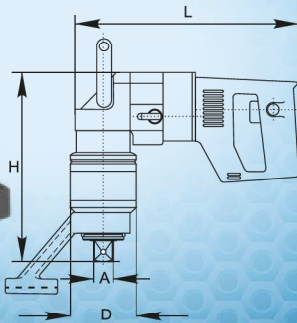
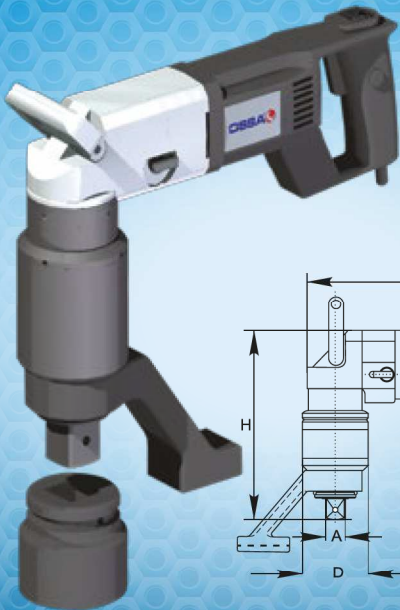
BOLTING TECHNOLOGY

ELECTRIC TORQUE WRENCH ZE and ZEK series

ZE
straight



ZEK
angular



from **S 22** to **S 100**

FEATURES:

- switch to change rotation direction (left /right)
- two speeds (fast and operating speed)
- pivoting driving unit (rotation of the handle by 360°)
- overload protection
- electronic, high accurate controller of applied torque with 198 torque steps and automatic switch off (TIPTRONIC)

APPLICATION AREA:

- power engineering, chemical industry
- civil engineering (steel structures)
- assembly of machinery and equipment
- production, maintenance and repairs

adjustable torque

- greater precision and reliability
- improved occupational safety
- accuracy of bolt connections

ELECTRIC TORQUE WRENCH STRAIGHT VERSION, ZE SERIES

TYPE	ZE-9	ZE-15	ZE-25	ZE-28	ZE-35	ZE-45	ZE-60	ZE-100
Minimum torque [Nm]	70	150	360	380	400	750	800	1 700
Maximum torque [Nm]	900	1 500	2 500	2 800	3 500	4 500	6 000	10 000
Rotation speed [rpm]	26	16	9	9	7	6	4	2.5
Square drive A	1"	1"	1"	1"	1" / 1½"	1½"	1½"	1½"
Diameter [mm] D	88	88	88	88	88	102	102	123
Height [mm] H	506	506	546	546	556	560	560	616
Weight* [kg]	7	7	9	9	10	11	11	17

ELECTRIC TORQUE WRENCH ANGULAR VERSION, ZEK SERIES

TYPE	ZEK-9	ZEK-15	ZEK-25	ZEK-28	ZEK-35	ZEK-45	ZEK-60	ZEK-100
Minimum torque [Nm]	70	150	360	380	400	750	800	1 700
Maximum torque [Nm]	900	1 500	2 500	2 800	3 500	4 500	6 000	10 000
Rotation speed [rpm]	26	16	9	9	7	6	4	2.5
Square drive A	1"	1"	1"	1"	1" / 1½"	1½"	1½"	1½"
Diameter [mm] D	88	88	88	88	88	102	102	123
Height [mm] H	263	263	303	303	313	318	318	373
Length [mm] L	400	400	400	400	400	405	405	405
Weight* [kg]	9	9	10	10	11	12	13	18

* without reaction arm

Power supply voltage 230V, accuracy ±3%

The offer includes customization of tightening machines with different torques and rotation speed, dedicated to specific application and of unique design.